



## GENERAL DESCRIPTION

The MRI-5251 intelligent addressable fixed temperature detector and MRI-5251R intelligent rate of rise and fixed temperature detector are used with the Modul-R System to measure thermal levels caused by a fire. The use of analog information provides significant benefits to the end user, installer, and serviceman in ways which are not possible with a conventional type system. Since this detector is also addressable, it will help firemen to more quickly locate a fire during its early stages.

The MRI-5251 and MRI-5251R are constructed of Lexan in an off-white colour. The MRI-5251 and MRI-5251R plug-in detectors are designed to commercial standards and offers an attractive appearance.

## APPLICATIONS

Use thermal detectors for protection of property. Use smoke detectors in life-safety applications to provide a broad range fire-sensing capability.

## INSTALLATION

The MRI-5251 and MRI-5251R are plug-in detectors with a separate base to simplify installation, service, and maintenance. A specially designed tool allows maintenance personnel to plug-in and remove the sensors without using a ladder. NOTE: Because of the constant polling of addressable devices, end-of-line units are not required. Wiring 'T-taps' or branches are permitted for Style 4 (Class B) wiring.

## OPERATION

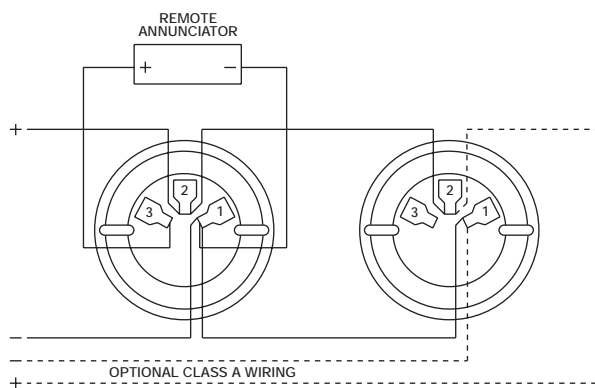
Each MRI-5251 or MRI-5251R uses one of 99 possible addresses on a loop. It responds to regular polls from the Modul-R control panel and it reports its type and status, including the analog level of its heat sensing elements. It blinks its LED's when polled and turns the LED's on when commanded by the panel. The MRI-5251 and MRI-5251R offer features and performance that represent the latest in thermal detector technology.

## FEATURES

- UL, CSFM, MSFM and MEA Listed; ULC Listing pending
- FM Approved
- Dual thermistors
- Factory preset at 58°C (135°F)
- Factory preset rate of rise of 8°C/min (15°F/min) on MRI-5251R
- Addressable by device
- Direct DECADE 01-99 entry of address
- 2-wire loop connection
- Visible LED's "blink" every time detector is addressed
- 360° field viewing angle of the visual alarm indicators (2 LED's)
- Integral communications and built-in device type identification
- Built-in functional test switch activated by external magnet
- Low standby current
- Built-in tamper-resistant feature
- Designed for direct surface or electrical box mounting
- Sealed against back pressure
- Plugs into separate base for ease of installation and maintenance
- Separate base allows interchange of photoelectric, ionization, and thermal detectors
- SEMS screws for wiring of the separate base
- 94-5V plastic flammability rating
- Remote LED output connection
- Compact, stylish design

## TECHNICAL DATA

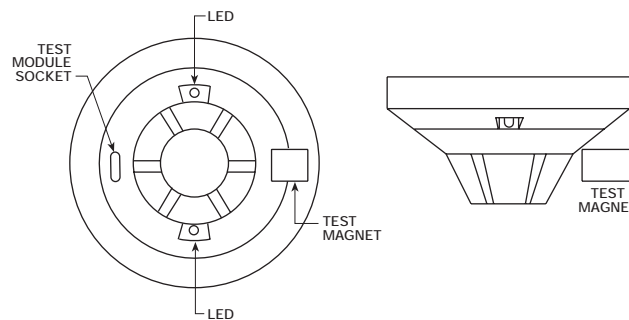
Voltage range	15-28VDC peak
Current range	6.5 mA for visible LEDs latched on
Standby current	300 $\mu$ A max.
Sensor	electronic, dual thermistors
Fixed temperature alarm	57°C (135°F)
Rate of rise alarm (MRI-5251R only)	8°C/min. (15°F/min.)
Temperature range	-20° to 38°C (-4° to 100°F)
Humidity range	10% - 93% RH non-condensing
Diameter	10.2 cm (4.0")
Height	5.1 cm (2.0")
Weight	150 g (5 oz.)



Wiring Diagram

## MODUL-R™ MRI-5251 & MRI-5251R

## ANALOG HEAT DETECTORS



## ORDERING INFORMATION

Model	Description
MRI-5251	Analog fixed temperature (FT) detector
MRI-5251R	Analog rate of rise (RoR) and FT detector
MRI-B210LP	Flanged mounting base, 15.5 cm (6.1") dia.
MRI-B501	Flangeless mounting base, 10.2 cm (4.0") dia.
MRI-B501BH	Sounder base, includes MRI-B501 mounting base
MRI-B224RB	Relay mounting base, 15.5 cm (6.1") dia., provides Form C contact for control of auxiliary functions
MRI-B224BI	Isolator mounting base, 15.5 cm (6.1") dia., provides isolation of short circuits
MRI-F110	Retrofit replacement ring for MRI-B501B base
MRD-RMK400	Recess mounting kit
MRD-XR2	Removal tool
MRD-XP4	Extension pole for removal tool
MRD-RA400Z	Remote LED annunciator

Distributor:



Secutron Inc.  
Electronic Protection Systems  
70 Esna Park Drive, Unit 14  
Markham, Ontario, Canada  
L3R 6E7

Tel: (905) 470-4070  
Fax: (905) 470-2880  
Toll Free: 1-800-387-8058  
E-mail: inquiry@secutron.ca  
www.secutron.ca

One River Place  
1225 East River Drive, Suite 210  
Davenport, IA 52803  
Phone: 1-888-673-2900  
Fax: (319) 322-0497

MODUL-R™ is a  
trademark of Secutron Inc.



**MODUL-R MRI-5251 & MRI-5251R Analog Heat Detectors**