

## MRM-MPG1 Manual Station



### Features

- Durable Extruded Aluminium Construction
- Attractive, Low Profile Design
- Standard Single Gang Mount
- Glass Rod Optional (one provided)

### Description

Attractive and durable, Secutron's MRM-MPG1 manual station provides manual fire reporting. The MRM-MPG1 manual station is a non-coded, single action device which initiates an alarm when pulled. Resetting is accomplished by inserting a 1/8" screwdriver from the front. The handle, once pulled will remain open and cannot be reset without utilizing the screwdriver.

The MRM-MPG1 manual station is constructed of durable aluminium and finished in red. An abrasion resistant label with large, raised letters provides clear legible instructions.

### Operation

Pulling on the station's handle will release the internal switch to trigger the alarm detection circuit.

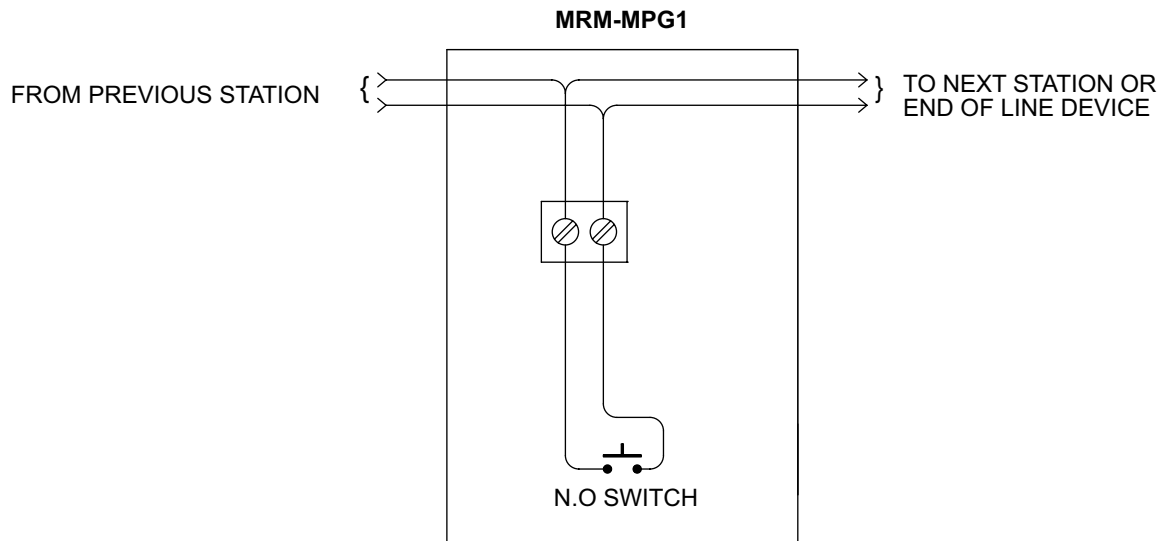
### Specifications

The single action manual station shall be Secutron's MRM-MPG1. Operating instructions shall be in raised English lettering and the unit shall be constructed of extruded aluminium, finished in red enamel paint to provide quick identification. Pulling the handle shall initiate immediate operation of the alarm detection circuit. All manual fire alarm stations shall be installed as per the specific requirements outlined in the UL codes, as well as all other applicable national or local codes.



S6492

## Wiring Diagram



**NOTES:**

1. WIRE AS SHOWN SO THAT SUPERVISION OF CONNECTIONS IS MAINTAINED.
2. MOUNT STATION TO 2" X 4" X 2 1/4" OUTLET BOX.
3. SWITCH RATING: ALL MODELS 1A @ 30 VDC

## Ordering Information

Model Number	Description
MRM-MPG1	Single Stage Manual Station

